

## Hardware options

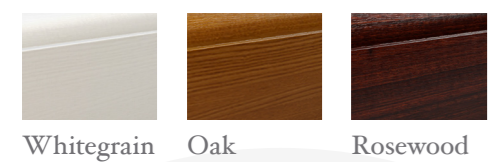


Two styles – modern (shown) or classic scrolled Lever/ Lever and Lever/ Pad combinations available. Aluminium and stainless steel construction.

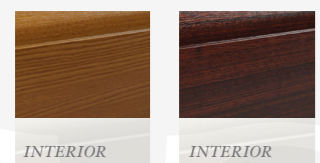


## Standard finishes

### PlatinumNRG Chamfered

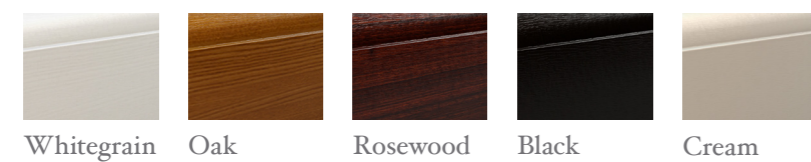


Whitegrain Oak Rosewood

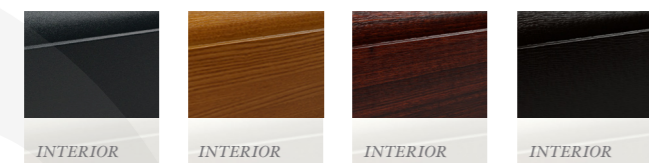


Oak on White Rosewood on White

### PlatinumNRG Sculptured



Whitegrain Oak Rosewood Black Cream



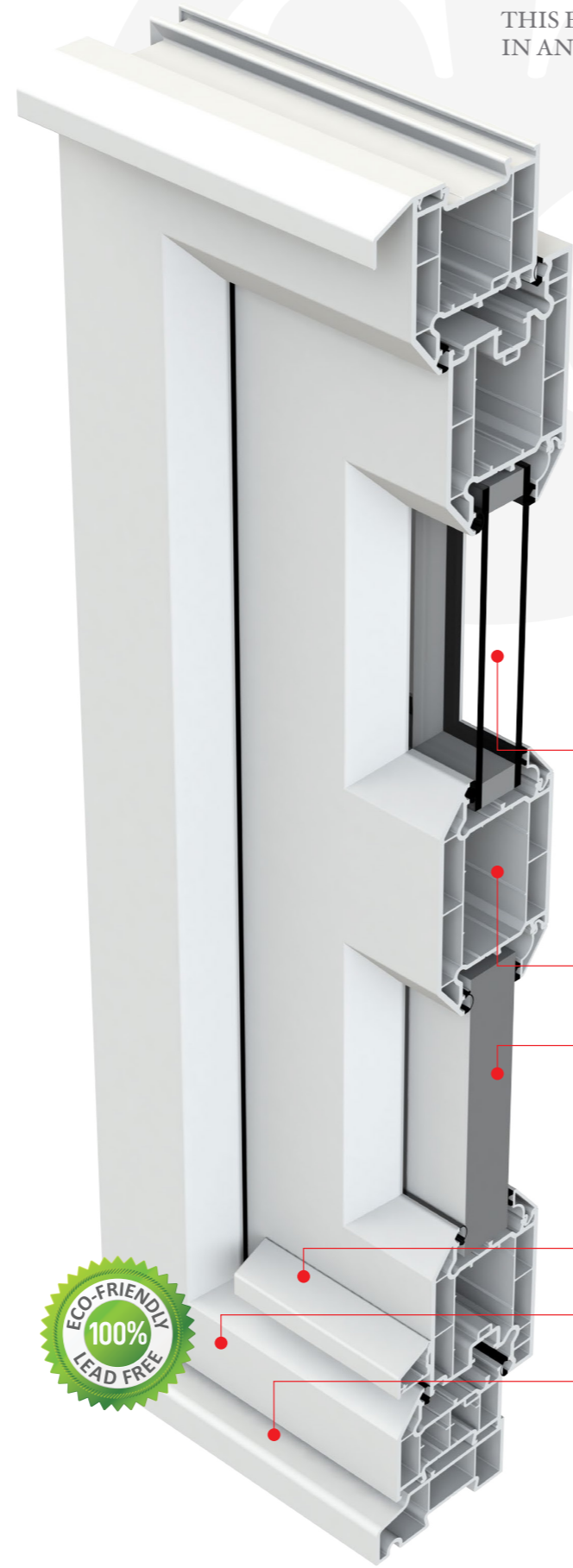
7016 Grained Grey on White Oak on White Rosewood on White Black on White

## Optional finishes

There are hundreds of combinations in a wide range of woodgrain or solid colour finishes, please contact us for further information.



THIS EXAMPLE SHOWS THE CHAMFERED FRAME IN AN INWARD-OPENING CONFIGURATION



100% LEAD FREE PVCu Completely free of poisonous lead stabilisers.

GLOSS FINISH Polished finish reduces cleaning and maintenance and retains a cleaner look for longer helping resist airborne pollutants and moulds.

DOUBLE-GLAZED UNIT available for entire door or by using additional transoms and mullions just for parts of the door.

OPTIONAL MID-RAIL or INTERNAL TRANSOM

SOLID REINFORCED PANELS available for entire door or by using additional transoms and mullions just for parts of the door.

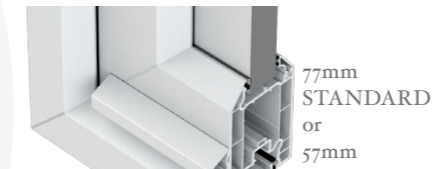
Weather bar

LOW PVCu threshold

Stub cill

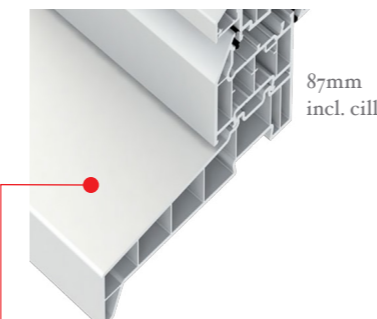


### THRESHOLD OPTIONS



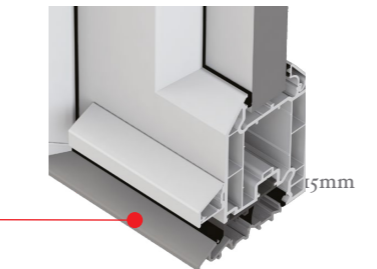
77mm STANDARD or 57mm

FRAME ONLY



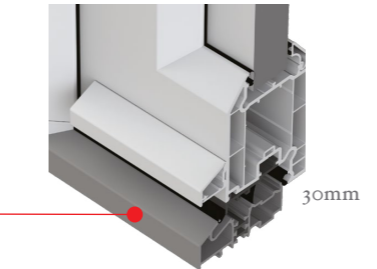
87mm incl. cill

FRAME AND CILL



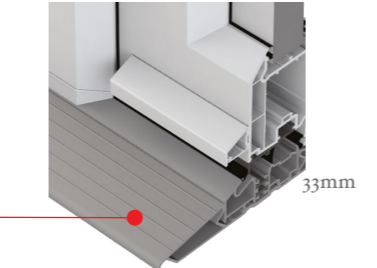
45mm

ALUMINIUM PART M COMPLIANT



30mm

ALUMINIUM LOW THRESHOLD



33mm

ALUMINIUM LOW THRESHOLD AND TRAY RAMP

## PVCu Entrance Doors



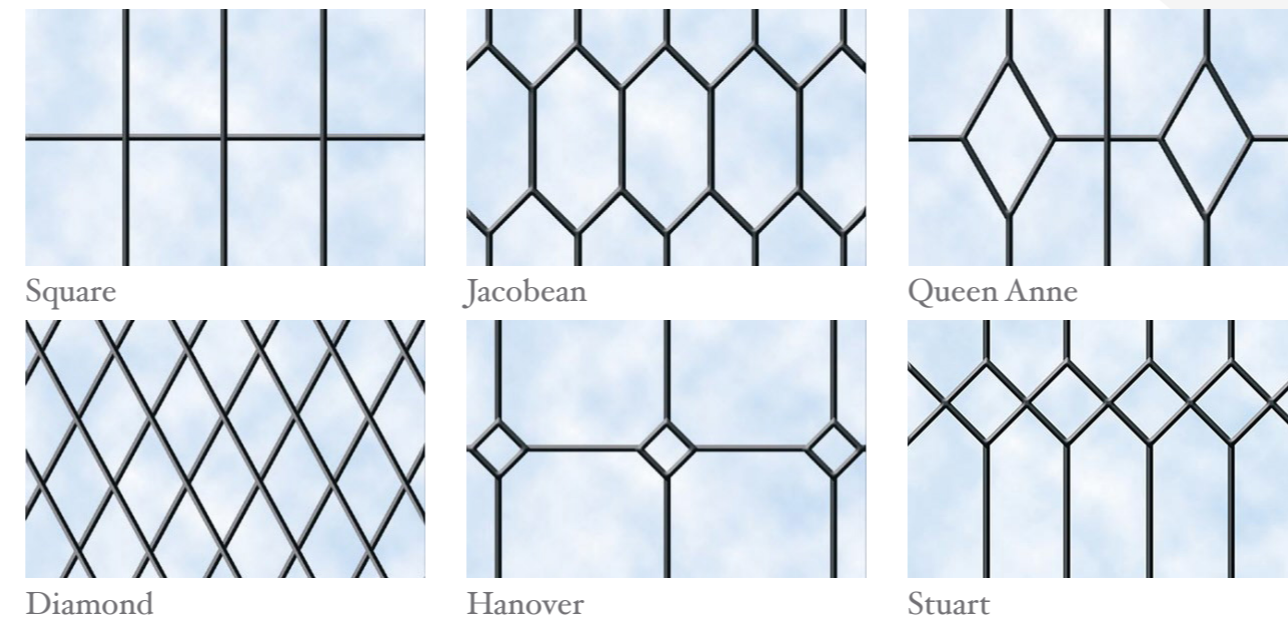
# Door Styles



Our PVCu Entrance Doors are an excellent alternative to our Composite and Timber Alternative ranges.

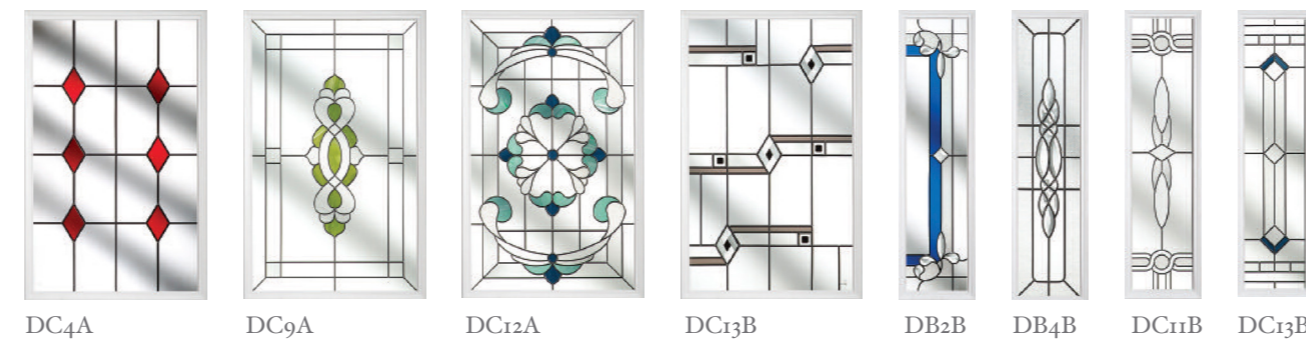
With a versatile choice of designs to choose from, this option can be custom-made to your chosen requirements. Whether it's a classic, contemporary or cottage style, we will have a design to suit your home. You can decide on the size of glass area you need and how it increases or decreases the incoming light.

## Traditional Lead Patterns



## Decorative Glazing

We offer a full range of coloured and bevelled glass designs to choose from. Whether you're looking to add a touch of colour or a simple elegant design. There are many options to enhance your chosen style of door with a choice of either clear or obscured backing glass. You can of course opt for a clear or obscure glass pattern.



## Hinges



SFS

Designed for ease-of-use and a draft-free fit. Stainless steel stabilising pins for enhanced security. Available in a choice of colours to match your door.

## Locks



Special hook bolt for high level security. Made from high quality, rust free, stainless steel for longer life performance.



In our ongoing quest to provide the highest quality products for our customers, our designs and specifications are subject to change without notice.